

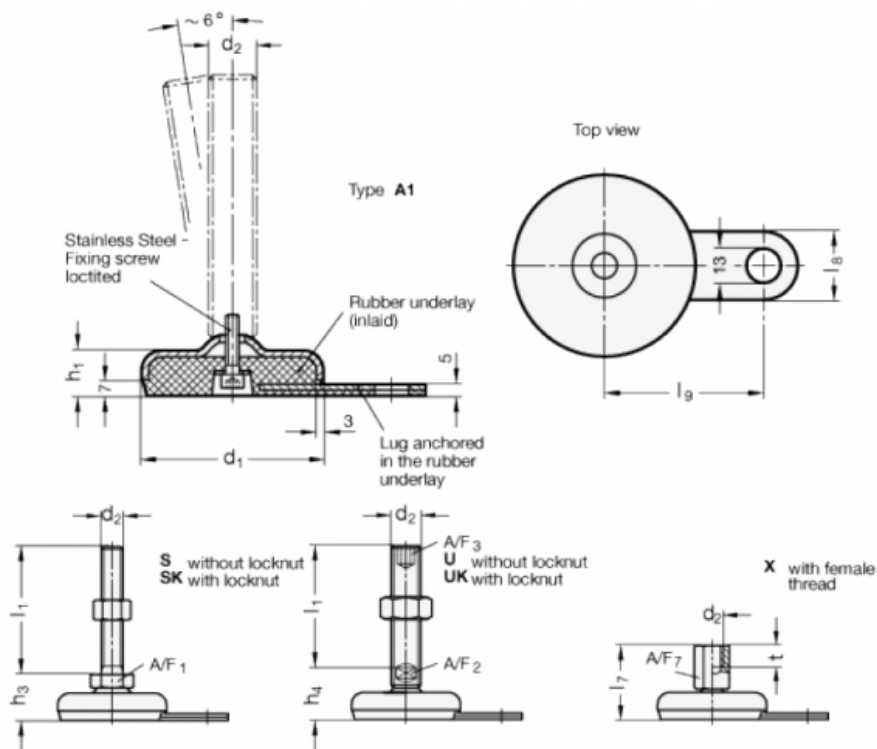
Article number: 203260M1060A1S

Description: E+G levelling foot

GN 32-60-M10-60-A1-S

Note: S Without nut, External hexagon at the bottom

## Measures



A/F1	= 17
d1	= 60
d2	= M10
h1	= 19
h3	= 27
l1	= 60
l8	= 25
l9	= 50